

OPERATING INSTRUCTIONS FOR MULTI RATIO FOAM CLEANING GUN

APPLICATION: Clean and sanitize supermarket and packing house meat cutting rooms; kitchens and food preparation areas; shower rooms, restrooms, or locker rooms; animal cages and runs, barns, dairy equipment, clean trucks, cars, or other equipment. Use with foaming degreasers, disinfectants, general detergents, soaps, acid or caustic tile cleaners, truck washes, etc.

SPECIFICATIONS: Recommended water pressure - 40 to 60 psi.

ASSEMBLY INSTRUCTIONS: Slide plastic siphon tube (Item 9) over brass tube connector under bottle cap, attach bottle to gun. Slide small end of foam tube (Item 12) over tube connector on outlet end of Mixing head (Item 8).

OPERATION INSTRUCTIONS: Connect water supply hose to pistol grip shut-off valve (Item 1) handle. Remove and fill bottle with liquid chemical concentrate.
CAUTION: To prevent chemical loss from bottle out of air vent hole in mixing head, sprayer assembly must remain in upright position at all times.

Place meter stem lever (Item 5) in vertical position to siphon chemical (as shown in fig. 1). This will automatically mix chemical with water at the factory pre-set dilution rate selected on metering stem. Pistol grip shut-off valve lever must be fully depressed for accurate mixing.



FIG. 1

5 SETTINGS TO FIT YOUR VARIOUS NEEDS				
1-128	1-64	1-32	1-20	1-10
1 oz/gal	2 oz/gal	4 oz/gal	6 oz/gal	12 oz/gal



FIG. 2

For a powerful clear water rinse, remove handle from siphon head and use as a insulated water nozzle. Pull back snap ring on female quick coupler to detach or reattach handle to mixing head. For a more gentle rinse without removing handle, move metering stem lever to a horizontal position (Fig. 2).

IMPORTANT NOTE: Handle supplied with gun contains an anti-siphon to protect water supply from accidental chemical contamination. **DO NOT USE ANY OTHER HANDLE WITH THIS SPRAYER.** If replacement is needed, a handle with anti-siphon installed should be obtained from your supplier.

MAINTENANCE: After each use the gun must be cleaned to insure trouble-free operation. Return unused chemical to original container.

Rinse bottle, refill with water or the appropriate solvent, and spray for several minutes to rinse out orifice within mixing chamber. Metering stem should be cleaned and lubricated to avoid sticking.

In instances where a chemical is particularly caustic or viscous, it may be necessary to soak the mixing head in water or neutralizer. This should eliminate contamination of the mixing head and build up of dried chemicals. If dried chemical builds up inside output nozzle restricting proper mixing, use a stick, pipe brush, or 1/8" hand ream to clean out nozzle and restore proper siphon action.

WARRANTY & REPAIR: This gun is guaranteed against defects in material and workmanship for a period of one (1) year from date of purchase. The manufacturer is not responsible for guns that have been altered, incorrectly used, improperly maintained, not cleaned or abused.

Information on parts for field repair or replacement of lost parts, is available from your supplier.

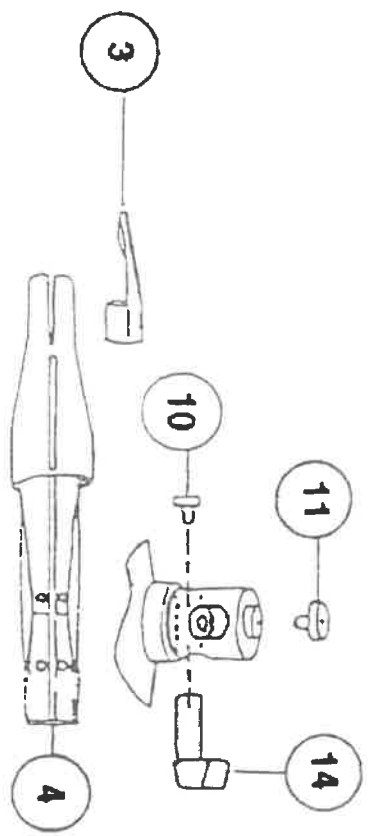
NOTE: The brass in this product contains lead.

WARNING: This product contains lead, a chemical known to the State of California to cause cancer and birth defects or other reproductive harm. Do not place your hands in your mouth after handling the product. Do not place the product in your mouth. *Wash your hands after touching this product.*

WARNING: Always wear eye protection, which complies with current ANSI Standard Z87.1. Wear protective clothing and use a respirator when recommended by chemical manufacturer. Spray in a well ventilated, open area. Pistol grip handle is equipped with anti-siphon device to prevent chemicals from being drawn back into hose. Do not substitute pistol grip handle without anti-siphon. Do not spray water or solution into an electrical outlet. Severe electric shock could result. Clean sprayer and bottle thoroughly after each use to prevent contamination between different chemicals. Bottle must remain upright to prevent chemical loss out of air vent hole in the mixing head.

Before using, read, understand, and follow chemical manufacturer's instructions and warnings.

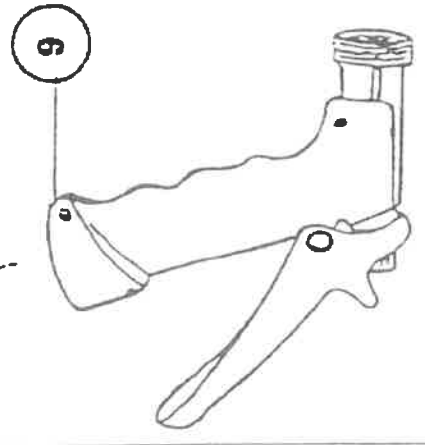
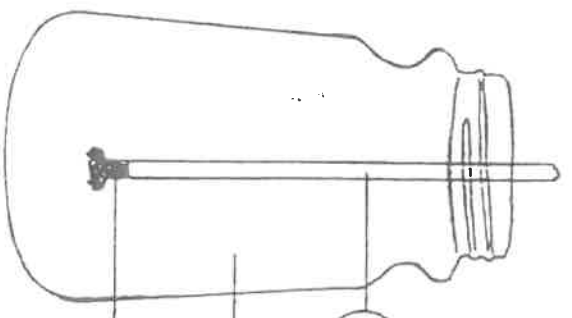
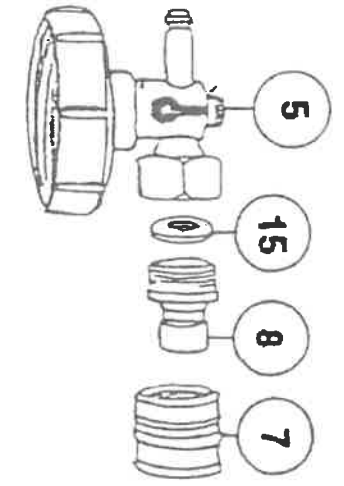
FAILURE TO HEED ALL SAFETY INSTRUCTIONS AND WARNINGS COULD RESULT IN PROPERTY DAMAGE, SERIOUS BODILY INJURY OR DEATH.



Description

Part Number

- 1 - Anti-Siphon Unit
7373
- 2 - Bottle
7520MR (Quart)
7525MR (Half Gallon)
7319
- 3 - Deflector
7571GM
- 4 - Foam Wand
7511SPEC (Includes 10, 11, 14 & 15)
- 5 - Mixing Head*
751SPEC (Includes 1 & 16)
- 6 - Pistol Grip Shutoff
09QCMBLK
- 7 - Quick Coupler (Female)
09QCMBLK
- 8 - Quick Coupler (Male)
36277
- 9 - Screen & Holder
7316
- 10 - Screw (Locking)
7316SPEC
- 11 - Screw (Metering)*
7324 (Quart)
73HG24 (Half Gallon)
- 12 - Siphon Tube
7374 (Quart)
7324H (Half Gallon)
- 13 - Siphon Tube
w/Screen & Holder
8114SPEC
- 14 - Stem (Adj Metering)
57310
- 15 - Washer (Head)
6817
- 16 - Washer (Filter)
09QSR



* MUST SPECIFY MODEL NO. AND RATIO